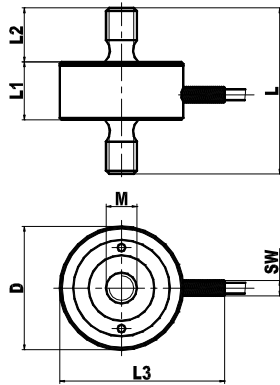


### shear-web load cell with built-in amplifier

- Strain gauge measuring system
- Tension/Compression
- Built-in amplifier EMS165

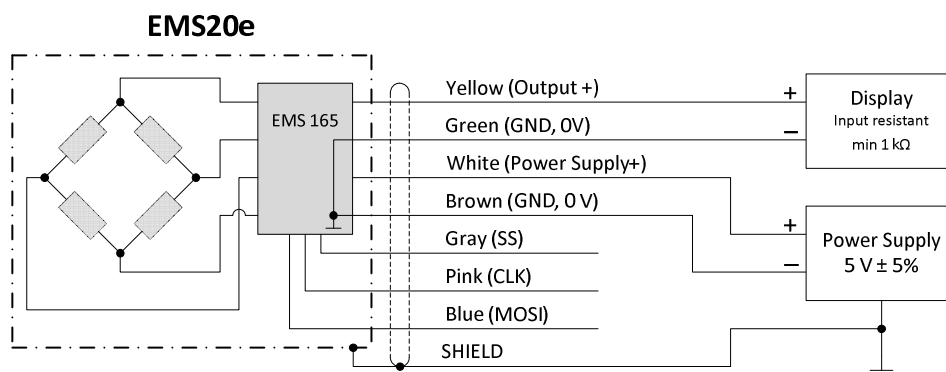


Rated Capacities kN	D mm	M mm	L mm	L1 mm	L2 mm	L3 mm	SW
0,1; 0,2; 0,5	28	M6	34	14	10	38	4
1; 2; 5	32	M8	43	15	14	42	4

### Specifications

Accuracy class	0,5
Rated Capacities (F.S.)	100, 200, 500 N 1, 2, 5 kN
Safe Overload	150% F.S.
Ultimate Overload	200% F.S.
Recommended Capacity	
- Permanent Load	75 % F.S.
- Dynamic Load	50 % F.S.
Rated Output	
- Standard	0,5 ... 4,5 V
- Reduced	0,4 ... 4,0 V
- Tension and Compression Load	0,5 ... 2,5 ... 4,5 V
Zero Balance	2 % F.S.
Non-linearity	0,25 % F.S.
Hysteresis	0,25 % F.S.
Creep (30 min)	0,1 % F.S.
Temperature Effect	
- On Zero	0,15 %F.S./10 °C
- On Output	0,15 %F.S./10 °C
Power Supply	5 V ± 5%
Current Consumption, max	30 mA
Temperature Range	0 ... + 50 °C
Protection	IP54
Deflection at max Load	0,1 mm
Material of Body	
- 100, 200, 500 N	Aluminium
- 1, 2, 5 kN	Stainless Steel
Cable	
- Type	LifYDY 7 x 0,05
- Length	2 m

### Wiring diagram



Notice:  
 - Do not connect SS, CLK and MOSI  
 - Connect SHIELD to earth or to the housing of device