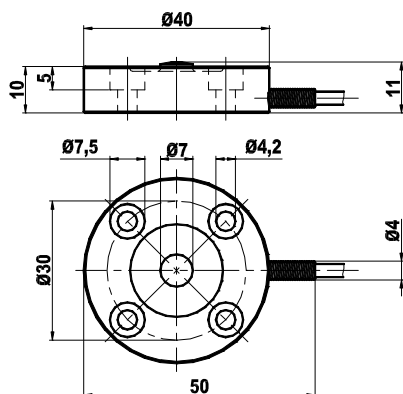


Special features

- For general purpose
- Strain gauge measuring system
- Compression
- Low profile



Outline Dimensions (mm)



Specifications

Accuracy class	0.5
Rated Capacities	1, 2, 5 kN
Safe Overload Ultimate Overload	150 %F.S. 200 %F.S.
Rated Output	1.5 mV/V \pm 2%
Zero balance	2 % F.S.
Non-linearity Hysteresis Creep (30 min)	0.25 %F.S. 0.25 %F.S. 0.1 %F.S.
Temperature Effect - On Zero - On Output	0.1 %F.S./10 °C 0.1 %F.S./10 °C
Input Impedance	380 Ω \pm 10%
Output Impedance	350 Ω \pm 5%
Insulation Impedance	> 5000 M Ω
Excitation - Recommended - Maximum	5 V 7 V
Temperature range - Compensated - Operating	0 ... + 50 °C - 10 ... + 70 °C
Protection	IP54
Construction	Steel
Cable	LifYDY 4 x 0.05, 2 m

Wiring diagram

